

## Our Most Compact & Lightweight Filterpak!

The Ultralight FilterPak is the epitome of convenience as our most compact and lightweight filtration system. Whether climbing into tight spaces or walking up several flights of stairs, this portable guy has everything you've come to love about the original FilterPak, just in a more convenient package. It has the ability to filter oil viscosities up to 600cSt (ISO VG 680) at 100°F within ambient temperature ranges of -15°F to 150°F. All Y2K products are 100% customizable upon request.

### Typical Applications:

- Filtering contaminated system
- Flushing new or repaired systems
- Pre-filtering new oil
- Transferring oils
- Topping off reservoirs
- Dispensing new oil



# ULTRALIGHT FILTERPAK

## Performance:

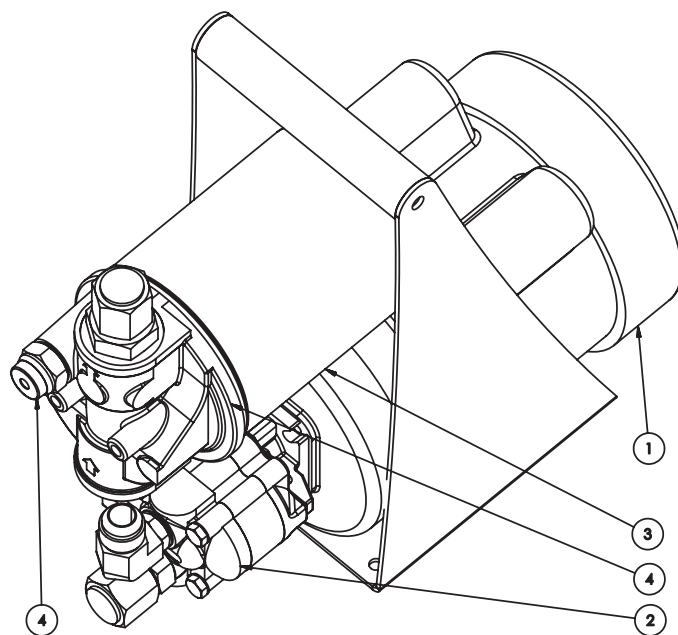
For filtering mineral and synthetic based oils (hydraulic oils, gear oils and turbine oils). This powerhouse has the ability to filter oil viscosities up to 600cSt (ISO VG 680) at 100F within ambient temperature ranges of -15F to 150F.

## Standard Features:

<b>Frame:</b>	Heavy duty, diamond plated aluminum frame
<b>Motor:</b>	1/4HP, 115vac, 60Hz or Pneumatic
<b>Filter Heads:</b>	Aluminum heads
<b>Pump:</b>	Aluminum gear pump. Available in 1, 2 and 5 GPM.
<b>Connections:</b>	Various quick connect options available
<b>Hoses:</b>	7ft, Clear PVC, steel reinforced hose or hydraulic hose
<b>Power Switch:</b>	On/off toggle switch
<b>Cord:</b>	4ft. cord
<b>Filter Indicators:</b>	Pop up indicator triggers at 50 psid when elements need to be changed.
<b>Pump Relief:</b>	Opens at 150psi
<b>Weight:</b>	Approx. 40 lbs <i>(will vary depending on options)</i>
<b>Dimensions:</b>	Approx. 24" L x 8" W x 15" H

## Components:

Item Number	Description	Qty.
1	Motor	1
2	Pump	1
3	Filter Element	1
4	Filter Head	1
5	Filter Indicator	1



## Replacement Elements:

Part Number	BETA Rating	Desired Cleanliness Level (ISO Code)
P1068	β3(c)=1000	14/12/9 - 13/11/8
P1069	β6(c)=1000	17/15/12 - 14/12/9
P1070	β10(c)=1000	18/16/13 - 17/15/12
P1071	β25(c)=1000	21/19/16 - 20/18/15
P1072WR	Water Removal	

All M Series elements measure 5" x 10".